

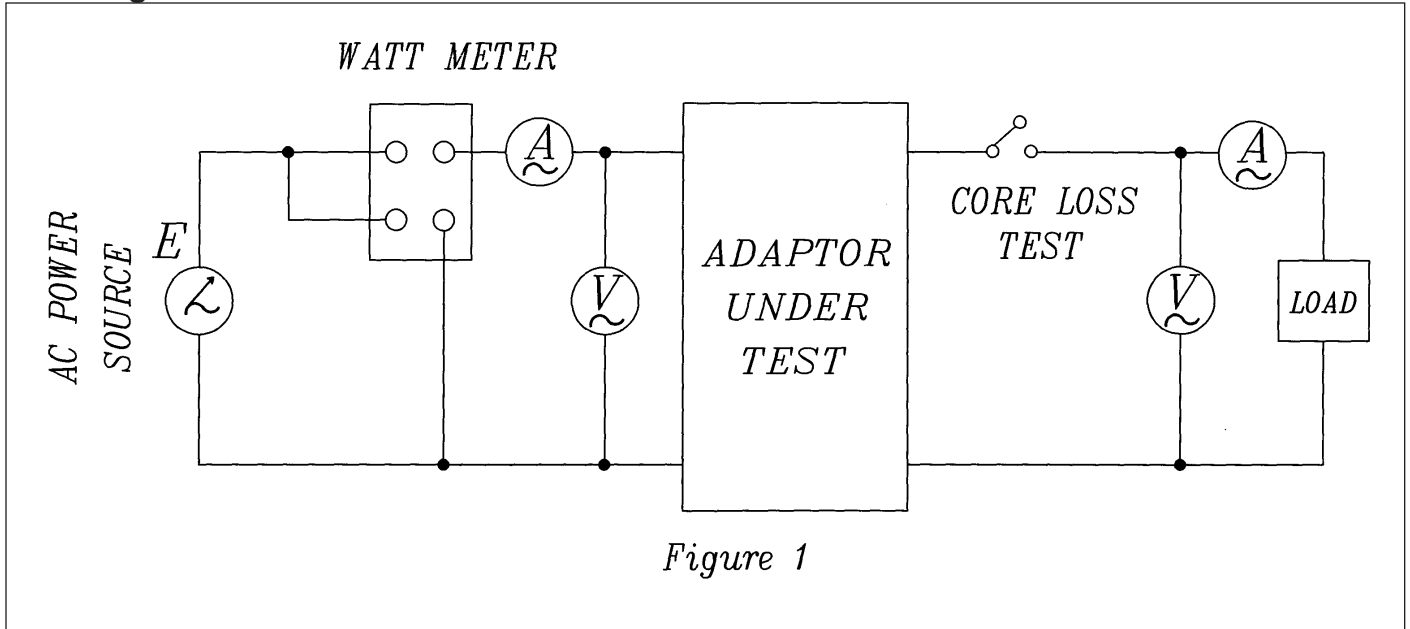


Specifications

Output voltage	12 V dc at 500 mA	
Primary rated input	120 V ac 60 Hz 10 W	
Primary exciting current	70 mA rms max.	
Secondary rated voltage & current	no load voltage (max.)	19 V max.
	full load volatge (500 mA)	12 V \pm 5%
Temperature rise of primary winding (full load)	70°C max. using resistance method	
Insulation resistance	\geq 100 M Ohm at 500 V dc	
HI-POT test	from input to output for 1 min.	1240 V ac at 2 mA
	from input to output for 1 sec.	1600 V ac at 2 mA
	from primary to seconardy winding for 1 sec.	1600 V ac at 2 mA
	from primary winding to core for 1 sec.	1600 V ac at 2 mA
	from secondary winding to core for 1 sec.	750 V ac at 2 mA
Safety standard	UL/cUL	
RoHS compliant	yes	
Test conditions	Ambient temp	40°C \pm 2°C
	Humidity	90-95% 96 hours at Full Load
	Rated voltage	8 hours at full load
Color	Case	black
	Cord	black
	Plug top	black



Test Diagram



Label

CUI INC
AC ADAPTOR
CLASS 2 TRANSFORMER

INPUT: AC 120V 60Hz 10W
OUTPUT: DC 12V 500mA
P/N:DPD120050-P5P-SZ

UL US LISTED
E140898
88Y3

RoHS MODEL: 41-12-500
EIA 363 YYWW X
MADE IN CHINA

Adhesive tape: 3m #44 tape 18 width
Thickness: 0.2mm
Material: PVC polyester
Color: black on silver base

Remarks: YYWW S
YY=production year
WW=production week
S=production location



CUI INC

Part No: DPD120050-P5P-SZ

Description: linear power supply

Date: 2/27/2006

Unit: mm

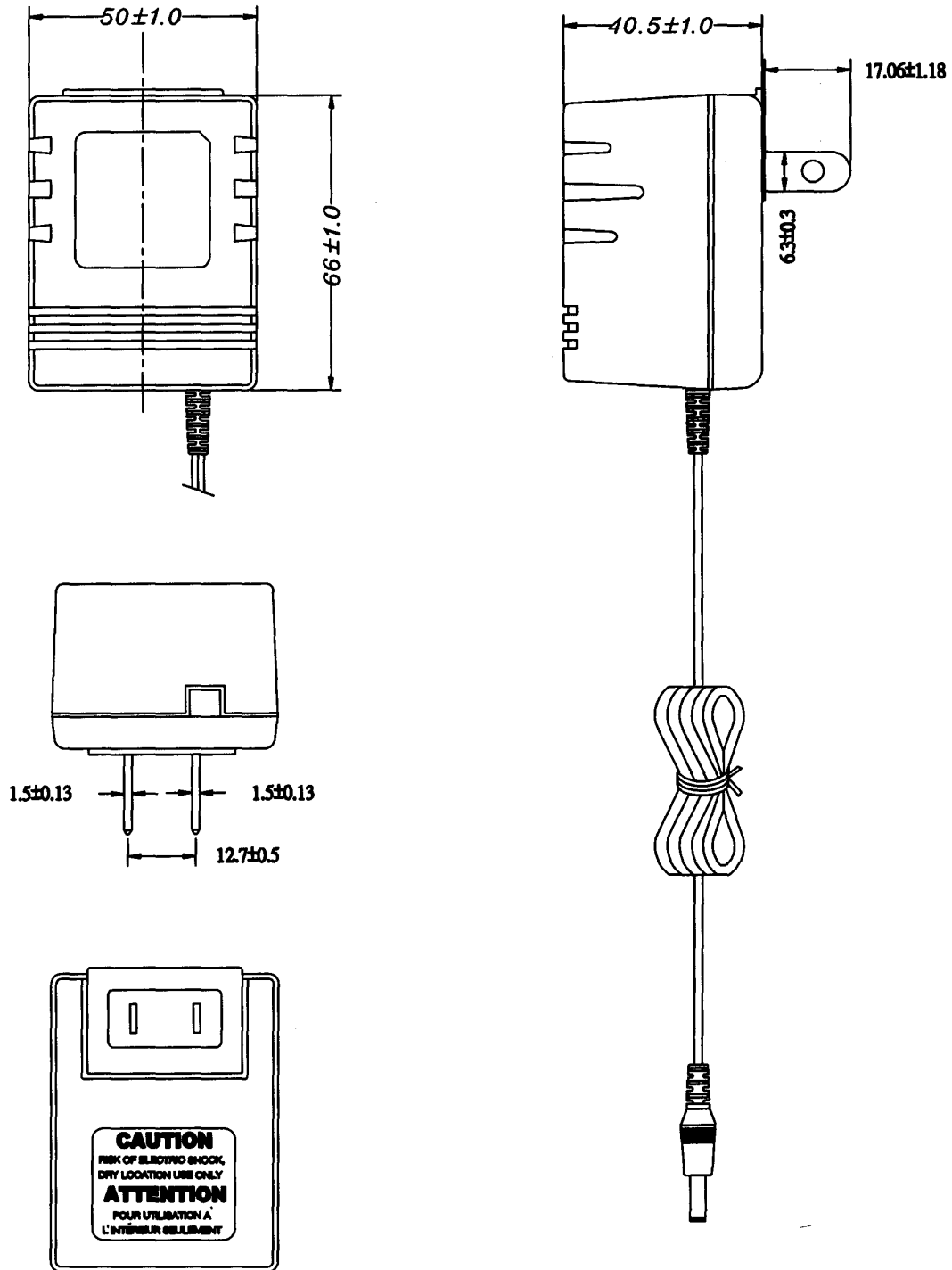
Page No: 3 of 7

Mechanical Drawing

Tolerance: ± 1

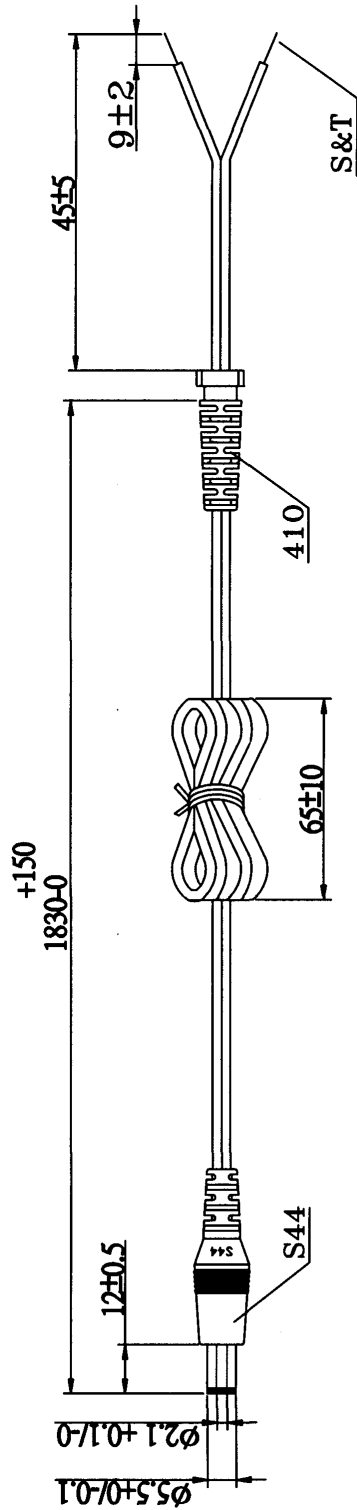
Weight

248 g





Cord



#24AWG X2C BLACK/WHITE WIRE BLACK WIRE IN OUTER, BLACK/WHITE WIRE IN INNER

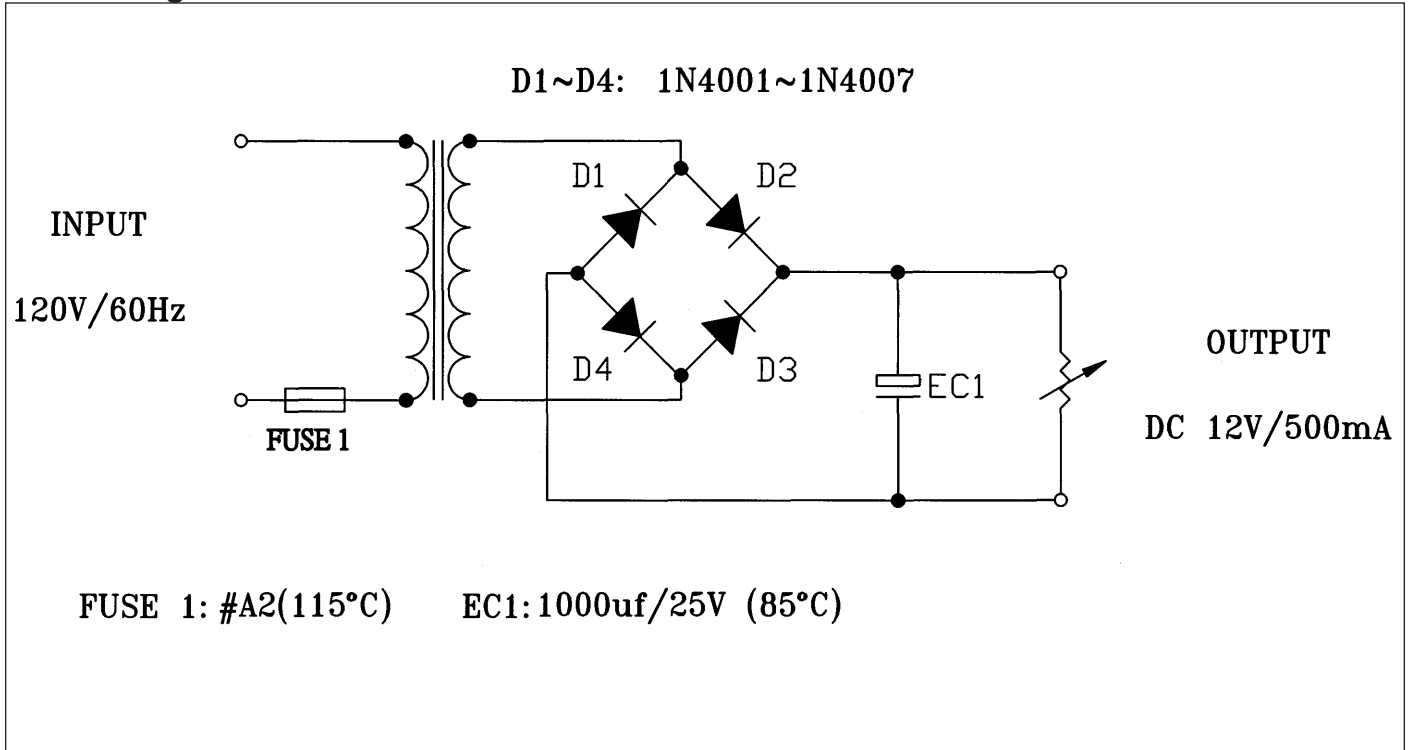
WIRE OD: Ø1.8X3.6



Parameter request	
VIBRATION TEST	a. 560'
	b. WEIGHT 250g
	c. 40 ROUND/MINUTE
	d. OVER 1000 COUNT MIN



Circuit Diagrams





CUI INC

Part No: DPD120050-P5P-SZ

Date: 2/27/2006

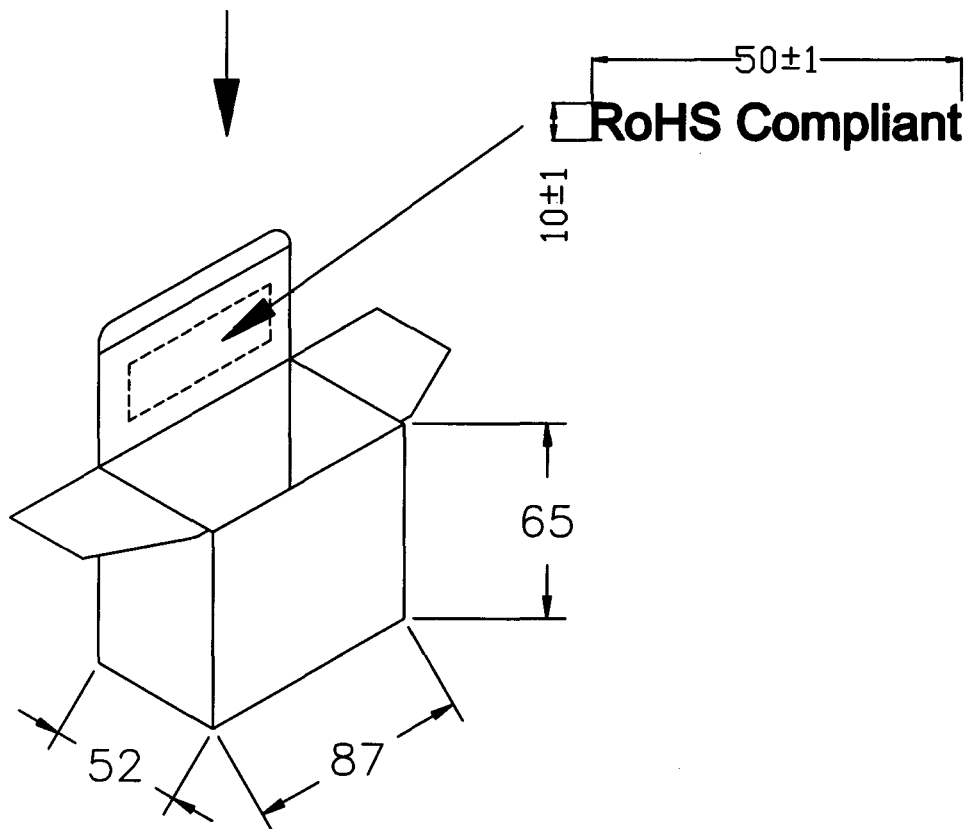
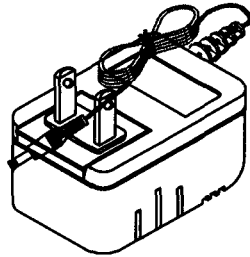
Unit: mm

Description: linear power supply

Page No: 6 of 7

Packaging

Tolerance: ± 1





Packaging

Tolerance: +7/-0

EXTERNAL CARTON MATERIAL:A=B(6mm)
INTERNAL CARTON MATERIAL:A-B(3mm)
CARTON SIZE: 376X357X190mm

Q'TY: 60pcs(20X3X1)

